

Spencer® *Technical Data Sheet*



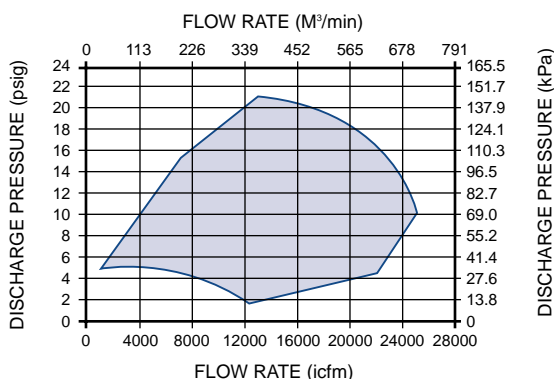
Power Mizer® Series 7000 Cast Blowers & Exhausters

Rugged, high efficiency multi-stage blowers for heavy-duty applications

Continuing the more than 100-year tradition of Spencer innovation in air and gas handling equipment, the *Power Mizer* Series 7000 presents a new level of efficiency and performance in multi-stage centrifugal blowers and exhausters. Based on modern engineering concepts and casting technology, these blowers were rigorously tested in the laboratory and in the field to confirm their superior aerodynamic characteristics and reliability. With their rugged cast components, Series 7000 blowers are suitable for the most severe applications from sulphur recovery and wastewater treatment aeration to felt dewatering in the pulp and paper industry. Corrosion resistant coatings and special materials available.

Performance Range Series 7000 Blowers

Performance at Standard Density
(Air at 68°F, Relative Humidity of 36%, Inlet Pressure 14.7 psia) 3570 rpm



Materials of Construction

- Casing and heads: cast iron ASTM A48 Class 30
- Tie rods: zinc plated 1035 steel
- Interstage sealing: silicone rubber
- Shaft: AISI 1144 carbon steel
- Impellers: ASTM A356.0 cast aluminum
- Base: A36 structural steel
- Finish: epoxy primer with urethane topcoat
- Base pads: 1" thick cork and synthetic rubber

Technical Data

- Number of stages: 2-5
- Operating speed: 3570 rpm
- Casing design pressure: 25 psig
- Inlet connection: 24" (610mm) flange
125lb/150lb ANSI drilled and tapped
- Outlet connection: 20" (508mm) flange
125lb/150lb ANSI drilled and tapped
- Seals: labyrinth (carbon ring available)
- Bearings: 6318/6318 ball, minimum L10
bearing life of ten years per AFBMA
- Lubrication: oil
- Drains are 1/2 NPT with plugs
- Impeller diameter: 33" (838mm)
- Impeller tip speed: 514 ft/sec (157 m/sec)
- First critical speed: 4285 rpm for maximum
number of stages
- Vibration: 1.0 mils maximum peak to peak

Accessories

- Full line of standard and custom electrical
control panels for packaged systems-UL and
CUL listed available.
- Dissolved oxygen control system
- Flexible sleeve connectors and expansion joints
- Filters and silencers
- Butterfly valves and check valves

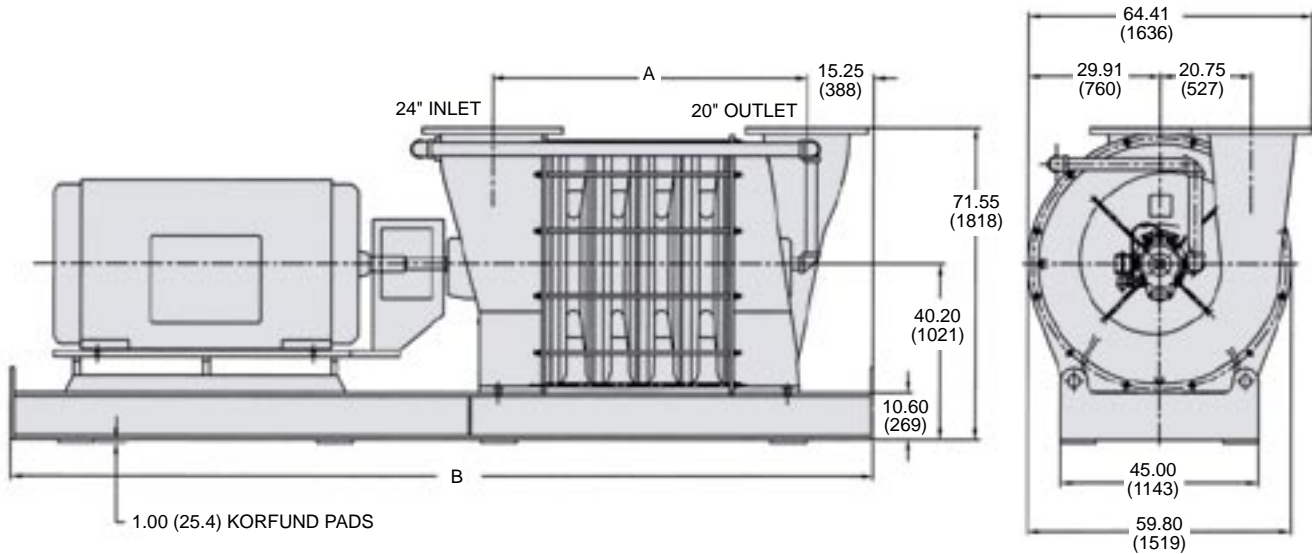
Note: Specifications may vary and change without notice.

Series 7000

Dimensions

Inches
(mm)

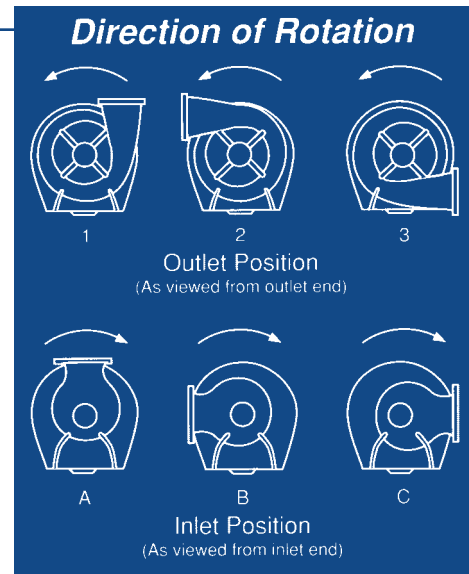
Dimensions are approximate
and intended for reference only.



Model No.	No. of Stages	Dimensions				Weight without motor	
		A		B*			
		inches	mm	inches	mm	lb	kg
C72	2	41.34	1050	161	4089	10150	4604
C73	3	51.34	1304	171	4343	12100	5489
C74	4	61.34	1558	181	4597	14600	6623
C75	5	71.34	1812	191	4851	17200	7804

*May vary depending on motor size

Spencer manufactures and markets a complete line of multi-stage centrifugal blowers and exhausters with cast or fabricated construction. For selection assistance, contact your local Spencer representative or The Spencer Turbine Company.



The **Spencer Turbine Company**, 600 Day Hill Road, Windsor, CT 06095-4706

TEL 800-232-4321 ♦ 860-688-8361 ♦ FAX 860-688-0098 ♦ www.spencerturbine.com