

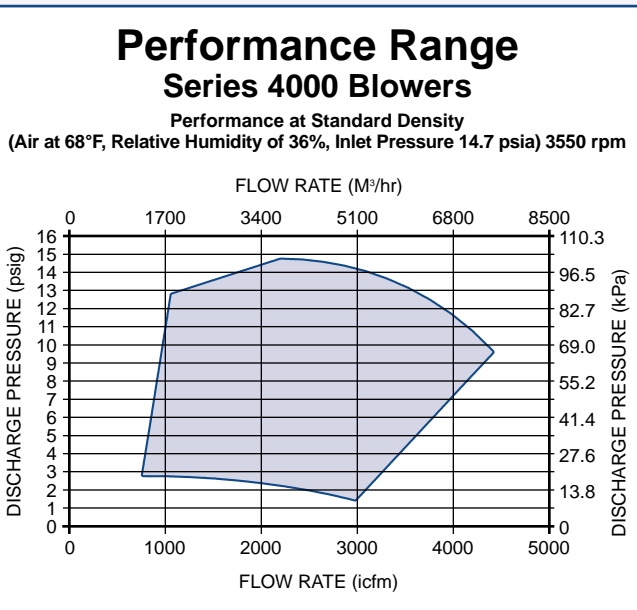
Power Mizer®

Series 4000

Cast Blowers & Exhausters

Rugged, high efficiency multi-stage blowers for heavy-duty applications

Continuing the more than 100-year tradition of Spencer innovation in air and gas handling equipment, the *Power Mizer* Series 4000 presents a new level of efficiency and performance in multi-stage centrifugal blowers and exhausters. Based on modern engineering concepts and casting technology, these blowers were rigorously tested in the laboratory and in the field to confirm their superior aerodynamic characteristics and reliability. With their rugged cast components, Series 4000 blowers are suitable for the most severe applications from sulphur recovery and wastewater treatment aeration to drying in the pulp and paper industry. Corrosion resistant coatings and special materials available.



Technical Data

- Number of stages: 2-8
- Operating speed: 3550 rpm
- Casing design pressure: 25 psig
- Inlet connection: 12" (305mm) flange
125lb/150lb ANSI drilled and tapped
- Outlet connection: 10" (254mm) flange
125lb/150lb ANSI drilled and tapped
- Seals: labyrinth (single and double
carbon ring available)
- Bearings: 6310/7310 ball, minimum L10
bearing life of ten years per AFBMA
- Lubrication: oil
- Drains are 1/2 NPT with plugs
- Impeller diameter: 24" (610mm)
- Impeller tip speed: 372 ft/sec (113 m/sec)
- First critical speed: 4266 rpm for maximum
number of stages
- Vibration: 1.0 mils maximum peak to peak

Materials of Construction

- Casing and heads: cast iron ASTM A48 Class 30
- Tie rods: zinc plated 1035 steel
- Interstage sealing: silicone rubber
- Shaft: AISI 1144 carbon steel
- Impellers: ASTM A356.0 cast aluminum
- Base: A36 structural steel
- Finish: epoxy primer with urethane topcoat
- Base pads: 1" thick cork and synthetic rubber

Accessories

- Full line of standard and custom electrical
control panels for packaged systems-UL and
CUL listed available.
- Dissolved oxygen control system
- Flexible sleeve connectors and expansion joints
- Filters and silencers
- Butterfly valves and check valves

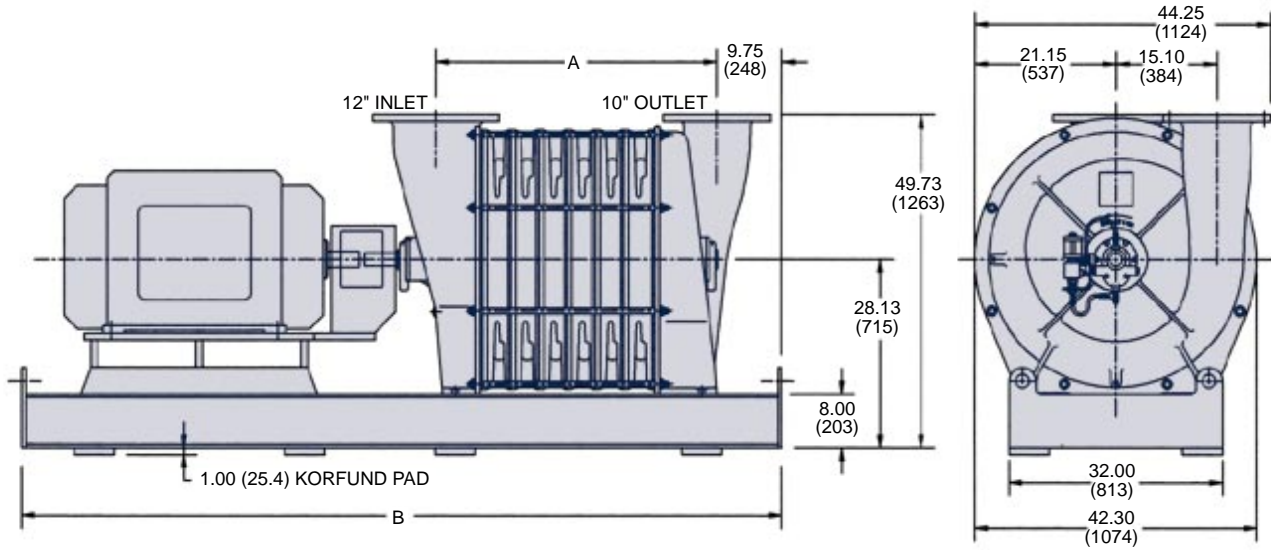
Note: Specifications may vary and change without notice.

Series 4000

Dimensions

Inches
(mm)

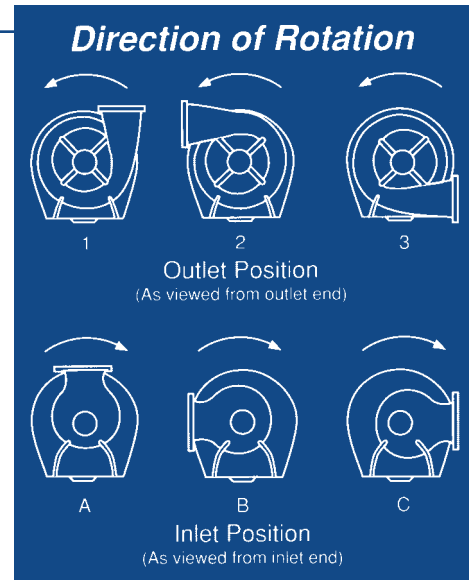
Dimensions are approximate
and intended for reference only.



Model No.	No. of Stages	Dimensions				Weight without motor	
		A		B*			
		inches	mm	inches	mm	lb	kg
C42	2	20.86	530	86	2184	2576	1169
C43	3	25.12	638	93	2362	3065	1390
C44	4	29.38	746	99	2515	3538	1605
C45	5	33.62	854	105	2667	4050	1837
C46	6	37.87	962	110	2794	4517	2049
C47	7	42.12	1070	114	2896	4976	2257
C48	8	46.37	1178	120	3048	5446	2470

*May vary depending on motor size

Spencer manufactures and markets a complete line of multi-stage centrifugal blowers and exhausters with cast or fabricated construction. For selection assistance, contact your local Spencer representative or The Spencer Turbine Company.



Since 1892 moving air and gas for a cleaner environment

The  **Spencer Turbine Company, 600 Day Hill Road, Windsor, CT 06095-4706**

TEL 800-232-4321 ♦ 860-688-8361 ♦ FAX 860-688-0098 ♦ www.spencerturbine.com